

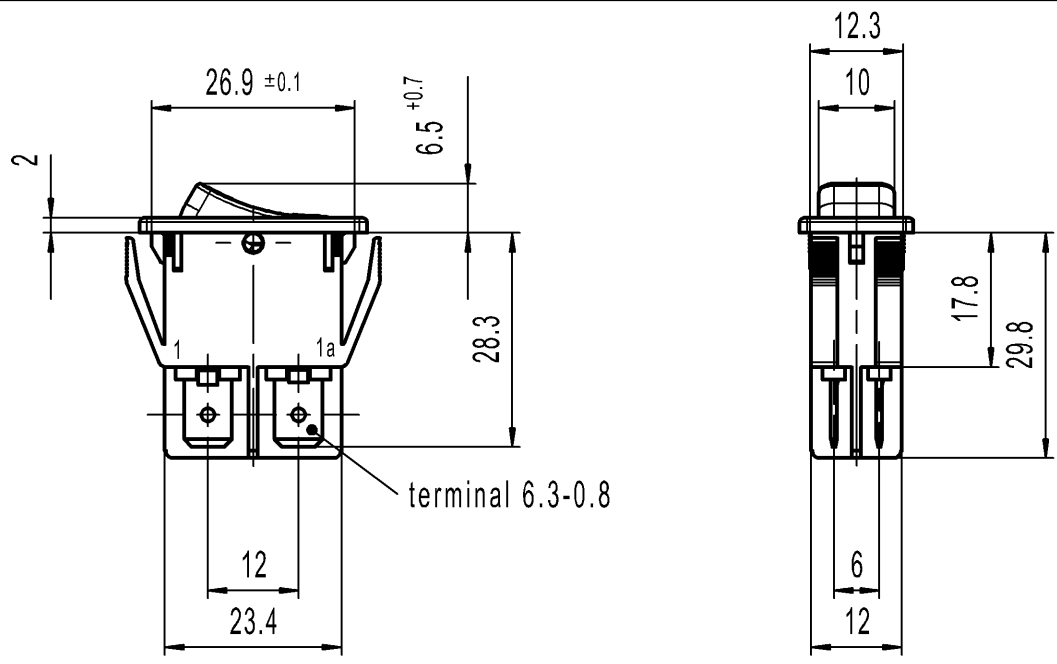
CONFIDENTIAL

VERTRAULICH

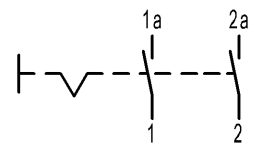
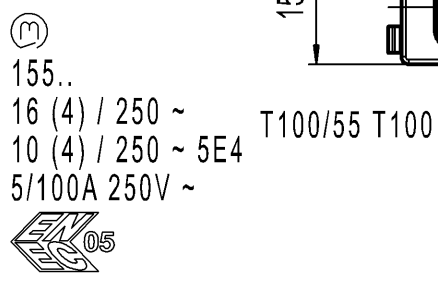
Alle Rechte bei Marquardt, auch fuer den Fall von Schutzrechtsanmeldungen. Jede Veruegungsbefugnis, wie Kopier- und Weitergaberecht, bei uns.

THIS DRAWING IS THE EXCLUSIVE PROPERTY OF MARQUARDT. WITHOUT THEIR CONSENT IT MAY NOT BE REPRODUCED OR GIVEN TO THIRD PARTIES.

1	2	3	4
recommended cut-out for snap-in fixing (edge opposite to snap-in direction)	wall thickness	length of cut-out	width of cut-out
	0.8 to 5.0	27.2 ±0.1	12.2+0.2



Marking



16A 125-250V AC
1 HP 125V AC
2 HP 250V AC
R38

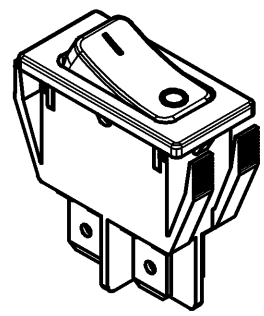
DPST

Suitable for appliances of class II
V0-Material according to UL standard 94

Code of manufacture:
place/year/week

G=matching IEC 60335:2001 clause 30

On box: Customer No. see variant table
G



-		-		0042576		1552.3112-XX			
Figure		Type		Customer No.		Art.No.-PI			
Shape and location	Angle ± 2°	Length		Radii		Sheet 01	Ident. K	Document number 15523112	Index g
	Edge tolerance	0-6 ± 0.2	±	0-6 ± 0.2	±				
		>6-15 ± 0.4	±	>6-15 ±	±	All dimensions are in millimetres	Appliance Switch		
		>15-30 ± 0.4	±	>15-30 ±	±				
		>30-70 ±	±	>30-200 ±	±				
		>70-120 ±	±		±				
		>120-200 ±	±		±				
g	135499	2021-01-19		MUT		System NX V11.0	 MARQUARDT		
f	69572	2010-10-04		HHE					
e	47793	2006-07-13		HHE					
d	45327	2005-11-14		hhe		Replacement of Zg.gl.Nr.v.28.11.1994			
Index	MEC-No.	Date (YYYY-MM-DD)		Edited by					